



ELECTRONIC DRYER

USE AND CARE GUIDE

Table of Contents

OPERATION MANUAL	
DRYER SAFETY	2
Check Your Vent System	
For Good Air Flow	4
Control Panel and Features	5
Cycle Guide	6
Using Your Dryer	7
Dryer Care.....	9
INSTALLATION INSTRUCTIONS	
INSTALLATION REQUIREMENTS	11
Tools and Parts.....	11
Location Requirements	11
Electrical Requirements	13
Electrical Connection	14
VENTING	14
Venting Requirements.....	14
Plan Vent System	15
Install Vent System.....	16
Install Leveling Legs.....	16
Level Dryer.....	17
Connect Vent	18
COMPLETE INSTALLATION CHECKLIST	18
REVERSE DOOR SWING	18
TROUBLESHOOTING	22

IMPORTANT: Save for local electrical inspector's use.

DRYER SAFETY

Your safety and the safety of others are very important.

We have provided many important safety messages in this manual and on your appliance. Always read and obey all safety messages.



This is the safety alert symbol.

This symbol alerts you to potential hazards that can kill or hurt you and others.

All safety messages will follow the safety alert symbol and either the word “DANGER” or “WARNING.”

These words mean:

⚠ DANGER

You can be killed or seriously injured if you don't immediately follow instructions.

⚠ WARNING

You can be killed or seriously injured if you don't follow instructions.

All safety messages will tell you what the potential hazard is, tell you how to reduce the chance of injury, and tell you what can happen if the instructions are not followed.



WARNING - “Risk of Fire”

- Clothes dryer installation must be performed by a qualified installer.
- Install the clothes dryer according to the manufacturer's instructions and local codes.
- Do not install a clothes dryer with flexible plastic venting materials or flexible metal (foil type) duct. If flexible metal duct is installed, it must be of a specific type identified by the appliance manufacturer as suitable for use with clothes dryers. Flexible venting materials are known to collapse, be easily crushed, and trap lint. These conditions will obstruct clothes dryer airflow and increase the risk of fire.
- To reduce the risk of severe injury or death, follow all installation instructions.
- Save these instructions.

IMPORTANT SAFETY INSTRUCTIONS

WARNING: To reduce the risk of fire, electric shock, or injury to persons when using the dryer, follow basic precautions, including the following:

- Read all instructions before using the dryer.
- Gas dryers should only be installed in a room if the room meets the appropriate ventilation requirements specified in the national installation regulations. Make sure the room containing the dryer has an adequate air supply for gas combustion and/or drying operation. A window or equivalent means of ventilation must be opened in the room when the dryer is in use (an equivalent form of opening includes an adjustable louvre, hinged panel, or other means of ventilation that opens directly to outside air).
- Keep a minimum clearance of 4" (10 cm) between the rear of the dryer and any wall.
- The operation of this appliance may affect the operation of other types of gas appliances which take their air supply for safe combustion from the same room. There has to be adequate ventilation to replace exhausted air and thus avoid the back-flow of gases into the room from appliances burning other fuels, including open fires, when operating the tumble dryer. If in doubt, consult the appliance manufacturers.
- Do not obstruct the air supply to the dryer (see Installation Instructions for minimum clearances).
- Do not place items exposed to cooking oils in your dryer. Items contaminated with cooking oils may contribute to a chemical reaction that could cause a load to catch fire.
- Do not dry articles that have been previously cleaned in, washed in, soaked in, or spotted with gasoline, dry-cleaning solvents, cooking oils, or other flammable, or explosive substances as they give off vapours that could ignite or explode.
- Do not allow children to play on or in the dryer. Close supervision of children is necessary when the dryer is used near children.
- Before the dryer is removed from service or discarded, remove the doors to the drying compartment.
- Do not reach into the dryer if the drum is moving. A door switch is fitted for your safety.
- Do not install or store the dryer where it will be exposed to the weather.
- Do not tamper with controls.
- Do not continue to use this appliance if it appears to be faulty.
- Do not repair or replace any part of the dryer or attempt any maintenance unless specifically recommended in this Use and Care Guide. Repairs and servicing should only be carried out by competent service personnel.
- Do not use fabric softeners or products to eliminate static unless recommended by the manufacturer of the fabric softener or product.
- Do not use heat to dry articles containing foam rubber or similarly textured rubber-like materials.
- Always use the cool-down period at end of drying cycle to avoid a heat build-up in stored clothes.
- Clean dryer lint screen before or after each load. Do not operate dryer without lint screen in place.
- Keep area around the exhaust and inlet openings and adjacent surrounding areas free from the accumulation of lint, dust, and dirt.
- The interior of the dryer and exhaust vent should be cleaned periodically by qualified service personnel.
- See Installation Instructions for earthing instructions.
- If the supply cord is damaged, it must be replaced by the manufacturer or its service agent or a similarly qualified person in order to avoid a hazard.

SAVE THESE INSTRUCTIONS

CHECK YOUR VENT SYSTEM FOR GOOD AIR FLOW

⚠ WARNING



Fire Hazard

Use a heavy metal vent.

Do not use a plastic vent.

Do not use a metal foil vent.

Failure to follow these instructions can result in death or fire.

Good Air Flow

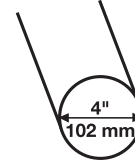
Along with heat, dryers require good air flow to efficiently dry laundry. Proper venting will reduce your drying times and improve your energy savings. See "Installation Instructions".

The venting system attached to the dryer plays a big role in good air flow.

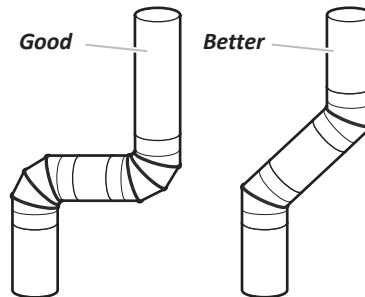
Service calls caused by improper venting are not covered by the warranty and will be paid by the customer, regardless of who installed the dryer.

Maintain good air flow by:

- Cleaning your lint screen before each load.
- Replace plastic or foil vent material with 4" (102 mm) diameter heavy, rigid vent material.



- Use the shortest length of vent possible.
- Use no more than four 90° elbows in a vent system; each bend and curve reduces air flow.

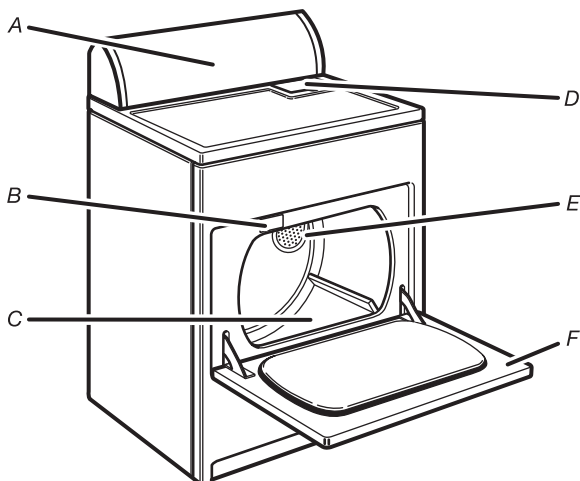


- Remove lint and debris from the exhaust hood.
- Remove lint from the entire length of the vent system at least every 2 years. When cleaning is complete, be sure to follow the Installation Instructions supplied with your dryer for final product check.
- Clear away items from the front the dryer.

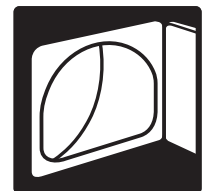
Use Automatic Dry Cycles for Better Fabric Care and Energy Savings

Use the Automatic Dry Cycles to provide the most energy savings and enhanced fabric care from the dryer. During Automatic Dry Cycles, drying air temperature and moisture level are sensed in the load. This sensing occurs throughout the drying cycle and the dryer shuts off when the load reaches the selected dryness. With Timed Drying, the dryer runs the amount of time set and sometimes results in shrinkage, wrinkling, and static due to over-drying. Use Timed Drying for the occasional damp load that needs a little more drying time or when using the drying rack.

PARTS & FEATURES



- A. Control panel
 - B. Model and serial number label
 - C. Dryer drum
 - D. Lint screen
 - E. Exhaust grill
 - F. Wide-opening door
- Some models come with Super wide-swing door*



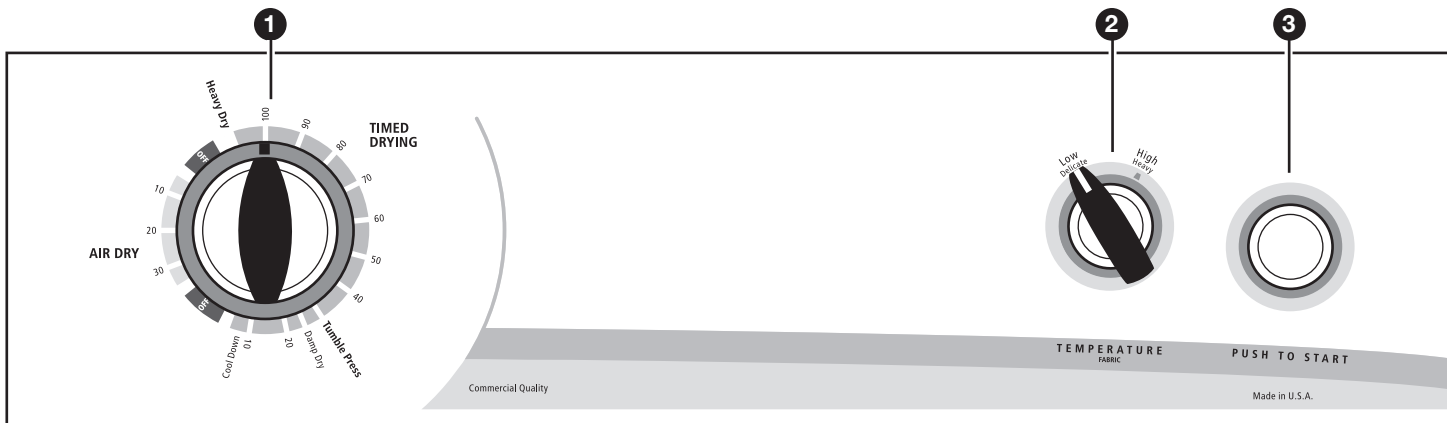
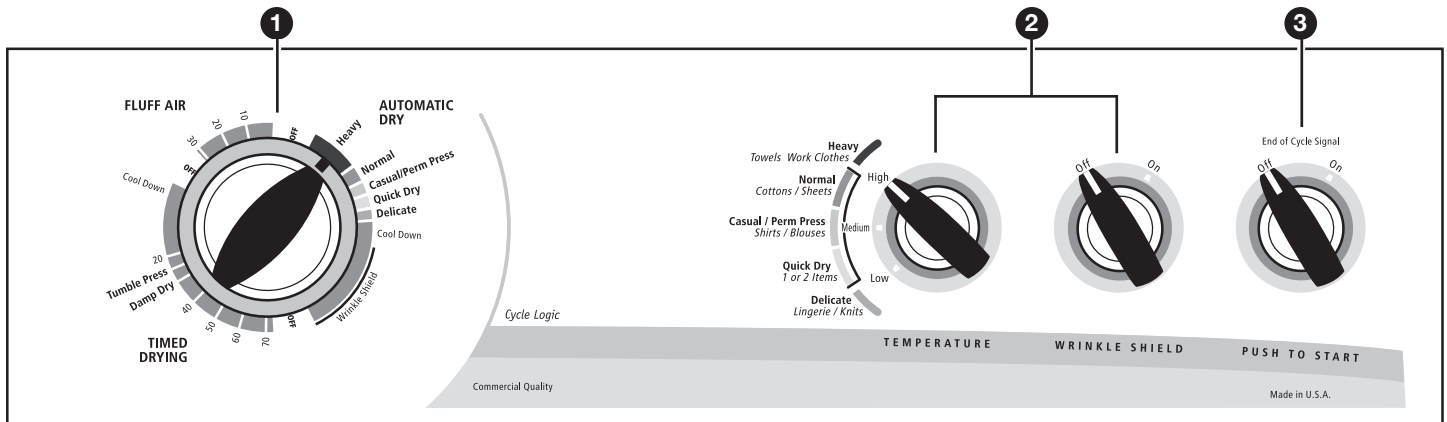
Additional features your dryer may have

- End of Cycle Signal selector
- Wrinkle Shield™ or Wrinkle Guard selector (depending on model)
- Automatic Dry sensor

Optional purchase

- Drying rack

CONTROL PANEL & FEATURES



Not all features and options are available on all models.
Appearance may vary.

1 DRYER CYCLE KNOB

Use your Dryer Cycle Knob to select available cycles on your dryer. Turn the knob to select a cycle for your laundry load. See "Cycle Guide" for detailed descriptions of cycles.

Timed Drying

Will run the dryer for the specified time on the control. On models with a selectable temperature knob, you may choose a setting based on the fabrics in your load. Drying time and temperature will depend on your dryer model.

Automatic Dry cycles (on some models)

Use your Automatic Cycle to dry most loads. Your dryer has a control that senses the moisture level in the load and shuts off when the load reaches the selected dryness.

2 OPTIONS AND SETTINGS

Temperature

Select a drying temperature based on the fabrics in your load. If you are unsure of the temperature to select for a load, select the lower setting rather than the higher setting.

NOTE: The Fluff Air/Air Dry Temperature is not available on the Automatic Dry Cycles.

Wrinkle Shield™ or Wrinkle Guard II feature (on some models)

When you are unable to remove a load of clothes from the dryer as soon as it stops, wrinkles can form. The WRINKLE SHIELD™ or WRINKLE GUARD II option periodically tumbles, rearranges, and fluffs the load for up to without heat to help keep wrinkles from forming. Turn the Wrinkle Shield™ or Wrinkle Guard ON to enable the Wrinkle Shield™ or Wrinkle Guard II option. A signal will sound periodically when the Wrinkle Guard II option is on if the End of Cycle Signal is selected. The signal and the tumbling will end when you open the dryer door, or when you turn the Cycle Control knob to Off.

3 PUSH TO START BUTTON

Press to start a cycle, or press once while a cycle is in process to pause it.

End of Cycle Signal

Select the END OF CYCLE SIGNAL, if available. The End of Cycle Signal produces an audible sound when the drying cycle is finished. Promptly removing clothes at the end of the cycle reduces wrinkling.

CYCLE GUIDE — AUTOMATIC DRY CYCLES

Not all cycles and settings are available on all models.

AUTOMATIC DRY - Senses moisture in the load and shuts off when the load reaches the selected dryness.

Depending on model, temperature may be selected on cycle knob or be a separate control.

Items to dry:	Cycle:	Drying Temperature:	Dryness Level:	Available Options:	Cycle Details:
Towels and work clothes	Automatic	High	Heavy	Wrinkle Shield™/ Wrinkle Guard II End of Cycle Signal	<p>Gives the best drying in the shortest time. Drying time varies based on fabric type, load size, and dryness setting.</p> <p>Select a drying temperature based on the fabrics in your load. If you are unsure of the temperature to select for a load, select the lower setting rather than the higher setting.</p>
Cottons and sheets	Automatic	Medium High	Normal	Wrinkle Shield™/ Wrinkle Guard II End of Cycle Signal	
Shirts and blouses	Automatic	Medium	Casual/ Perm Press	Wrinkle Shield™/ Wrinkle Guard II End of Cycle Signal	
1 or 2 items	Automatic	Medium Low	Quick Dry	Wrinkle Shield™/ Wrinkle Guard II End of Cycle Signal	
Lingerie and knits	Automatic	Low	Delicate	Wrinkle Shield™/ Wrinkle Guard II End of Cycle Signal	

NOTE: If loads do not seem as dry as you would like, select a higher drying temperature. If loads seem drier than you like, select a low drying temperature.

CYCLE GUIDE — TIMED DRYING

Not all cycles and settings are available on all models.

TIMED DRYING - Will run the dryer for the specified time on the control. Depending on model, temperature may be selected on cycle knob or be a separate control.

Items to dry:	Cycle:	Drying Temperature:	Available Options:	Cycle Details:
Large or heavy items such as thick towels or robes	Heavy Dry	Any	Temp End of Cycle Signal	Choose high to dry large or heavy loads.
Any load	Damp Dry	Any	Temp End of Cycle Signal	Dries items to a damp level or for items that do not require an entire drying cycle.
Any load	Tumble Press®	Any	Temp End of Cycle Signal	Use low to medium temperature to smooth out wrinkles, such as those found in clothes packed in a suitcase or in items wrinkled from being left in the dryer too long.
All loads	Cool Down	No heat	Temp End of Cycle Signal	This is the last step in a cycle that uses heat. The load is cooled slowly to reduce wrinkling and make it easier to handle.
Any load	Wrinkle Shield™ or Wrinkle Guard II	No heat	Temp End of Cycle Signal	After a cycle is complete, the load is periodically tumbled to avoid wrinkles until you are ready to remove it.
Rubber, plastic, heat sensitive fabrics	Air Dry or Fluff Air	Air Only	Temp End of Cycle Signal	Use a no heat (fluff air or air dry) setting for foam, rubber, plastic, or heat-sensitive fabrics.

Setting the Drying Temperature

If your dryer has multiple heat settings:

- A High/Heavy heat setting may be used for drying heavyweight items such as towels and work clothes.
- A Medium High/Normal heat setting may be used for drying medium-weight items such as sheets, underwear, permanent press fabrics, and some knits.
- A Medium/Casual/Perm Press heat setting may be used for drying medium to light-weight items such as shirts, blouses, and dresses.

- A Medium Low/Quick Dry heat setting may be used for drying 1 or 2 items for a short drying time.
- A Low/Delicate heat setting may be used for drying small loads and light-weight items such as lingerie and some knits.
- Use a no heat (Fluff Air or Air Dry [depending on models]) setting for foam, rubber, plastic, or heat-sensitive fabrics.
- Line dry bonded or laminated fabrics.

NOTE: If you have questions about drying temperatures for various loads, refer to the care label directions.

USING YOUR DRYER

⚠ WARNING



Explosion Hazard

Keep flammable materials and vapors, such as gasoline, away from dryer.

Do not dry anything that has ever had anything flammable on it (even after washing).

Failure to follow these instructions can result in death, explosion, or fire.

⚠ WARNING



Fire Hazard

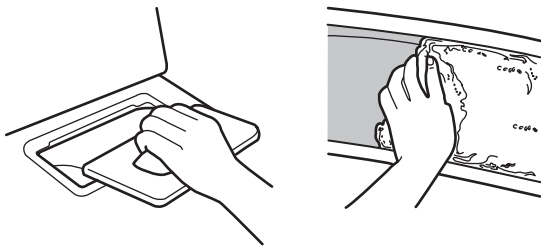
No washer can completely remove oil.

Do not dry anything that has ever had any type of oil on it (including cooking oils).

Items containing foam, rubber, or plastic must be dried on a clothesline or by using an Air Cycle.

Failure to follow these instructions can result in death or fire.

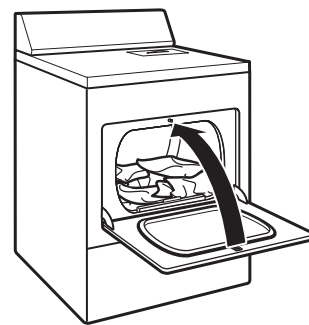
1. Clean the lint screen



Clean the lint screen before each load. Pull the lint screen straight up. Roll lint off the screen with your fingers. Do not rinse or wash screen to remove lint. Push the lint screen firmly back into place.

For additional cleaning information, see "Dryer Care".

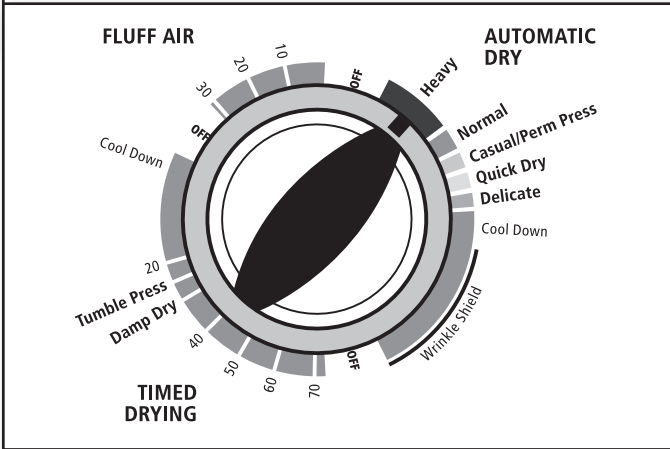
2. Load the dryer



Place laundry in the dryer. Close the door.

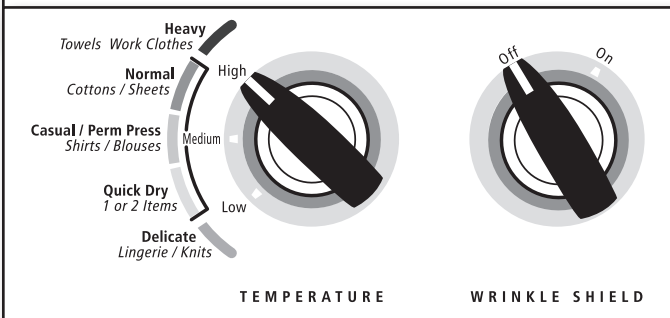
Do not tightly pack the dryer; clothes should be able to tumble freely.

3. Select the desired cycle



Select the desired cycle for your load. See “Cycle Guide” for more information about each cycle.

4. Set cycle settings and options (on some models)



Select temperature by turning the knob to the desired position or select the Automatic Dry Cycle that has the temperature included in the cycle selections.

NOTE: Not all options and settings are available with all cycles.

Temperature

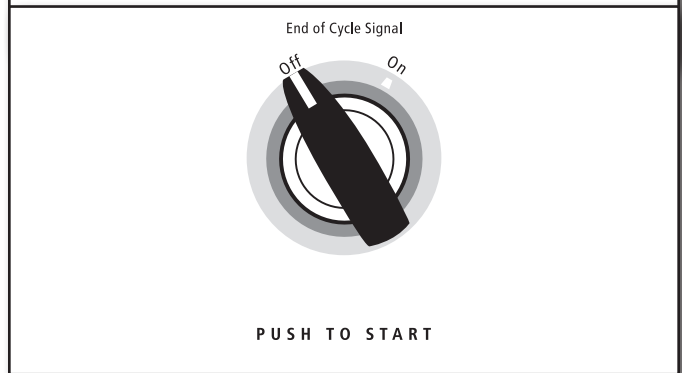
Turn the TEMPERATURE knob to change the drying temperature setting.

NOTE: The temperature selector is part of the Cycle Control knob on some models.

Wrinkle Shield™ or Wrinkle Guard II feature (on some models)

When you are unable to remove a load of clothes from the dryer as soon as it stops, wrinkles can form. The WRINKLE SHIELD™ or WRINKLE GUARD II option periodically tumbles, rearranges, and fluffs the load for up to without heat to help keep wrinkles from forming. Turn the Wrinkle Shield™ or Wrinkle Guard ON to enable the Wrinkle Shield™ or Wrinkle Guard II option. A signal will sound periodically when the Wrinkle Guard II option is on if the End of Cycle Signal is selected. The signal and the tumbling will end when you open the dryer door, or when you turn the Cycle Control knob to Off.

5. Select End of Cycle Signal (if desired)



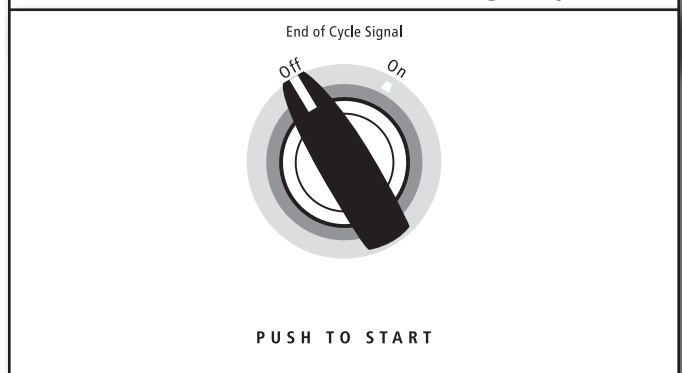
Select the END OF CYCLE SIGNAL, if available. The End of Cycle Signal produces an audible sound when the drying cycle is finished. Promptly removing clothes at the end of the cycle reduces wrinkling.

On some models you may have:

- An automatic End of Cycle Signal that will sound when cycle is completed.
- An End of Cycle Signal that can be adjusted. Turn the selector to the desired volume.
- An End of Cycle Signal that is part of the Start button. Turn the Start button to On or Off.

NOTE: If the Wrinkle Shield™ or Wrinkle Guard (on some models) setting is selected and the End of Cycle Signal is on, the tone will sound every few minutes. The signal stops when you open the door or turn the Cycle Control knob to Off.

6. Press PUSH to START to begin cycle



Push and hold the PUSH to START knob to begin the cycle.

DRYING RACK

To purchase a drying rack for your dryer, please contact the dealer from whom you purchased your dryer.

DRYER CARE

Cleaning the dryer location

Keep dryer area clear and free from items that would block the air flow for proper dryer operation. This includes clearing piles of laundry in front of the dryer.

! WARNING



Explosion Hazard

Keep flammable materials and vapors, such as gasoline, away from dryer.

Place dryer at least 18 inches (460 mm) above the floor for a garage installation.

Failure to do so can result in death, explosion, or fire.

Cleaning the dryer interior

To clean dryer drum

1. Apply a liquid, nonflammable household cleaner to the stained area of the drum and rub with a soft cloth until stain is removed.
2. Wipe drum thoroughly with a damp cloth.
3. Tumble a load of clean cloths or towels to dry the drum.

NOTE: Garments that contain loose dyes, such as denim blue jeans or brightly colored cotton items, may discolor the dryer interior. These stains are not harmful to your dryer and will not stain future loads of clothes. Dry these items inside out to avoid drum staining.

Removing accumulated lint

From Inside the Dryer Cabinet

Lint should be removed every 2 years, or more often, depending on dryer usage. Cleaning should be done by a qualified servicer.

From the Exhaust Vent

Lint should be removed every 2 years, or more often, depending on dryer usage.

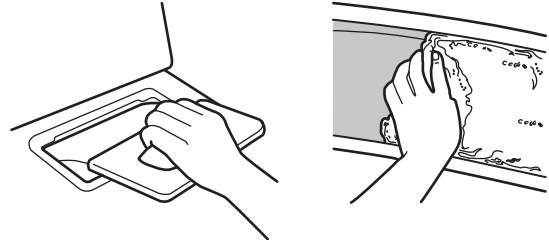
Cleaning the lint screen

Every load cleaning

The lint screen is located in the dryer. A screen blocked by lint can increase drying time.

To clean:

1. Pull the lint screen out of its holder. Roll lint off the screen with your fingers. Do not rinse or wash screen to remove lint. Wet lint is hard to remove.



2. Push the lint screen firmly back into place.

IMPORTANT:

- Do not run the dryer with the lint screen loose, damaged, blocked, or missing. Doing so can cause overheating and damage to both the dryer and fabrics.
- If lint falls off the screen into the dryer during removal, check the exhaust hood and remove the lint. See "Venting Requirements."

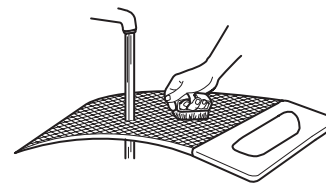
As needed cleaning

Laundry detergent and fabric softener residue can build up on the lint screen. This buildup can cause longer drying times for your clothes, or cause the dryer to stop before your load is completely dry. The screen is probably clogged if lint falls off while the screen is in the dryer.

Clean the lint screen with a nylon brush every 6 months, or more frequently, if it becomes clogged due to a residue buildup.

To wash:

1. Roll lint off the screen with your fingers.
2. Wet both sides of lint screen with hot water.
3. Wet a nylon brush with hot water and liquid detergent. Scrub lint screen with the brush to remove residue buildup.



4. Rinse screen with hot water.
5. Thoroughly dry lint screen with a clean towel. Reinstall screen in dryer.

Vacation, storage, and moving care

Non-Use or Storage Care

Operate your dryer only when you are at home. If you will be on vacation or not using your dryer for an extended period of time, you should:

1. Unplug dryer or disconnect power.
2. (For gas dryers only): Close shut off valve to gas supply line.
3. Clean lint screen. See "Cleaning the Lint Screen."

Moving Care

For power supply cord-connected dryers:

1. Unplug the power supply cord.
2. Make sure leveling legs are secure in dryer base.
3. Use tape to secure dryer door.

WARNING



Electrical Shock Hazard

Disconnect power before servicing.

Replace all parts and panels before operating.

Failure to do so can result in death or electrical shock.

For direct-wired dryers:

1. Turn off power at fuse or breaker box.
2. Disconnect wiring.
3. Make sure leveling legs are secure in dryer base.
4. Use tape to secure dryer door.

For gas dryers:

1. Unplug or disconnect power to dryer.
2. Close shutoff valve in gas supply line.
3. Disconnect gas supply line pipe and remove fittings attached to dryer pipe.
4. Cap the open fuel supply line.
5. Make sure leveling legs are secure in dryer base.
6. Use tape to secure dryer door.

Reinstalling the Dryer

Follow the "Installation Instructions" to locate, level, and connect the dryer.

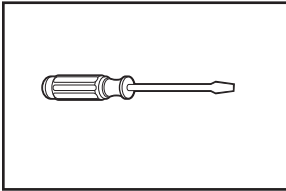
Installation Instructions

INSTALLATION REQUIREMENTS

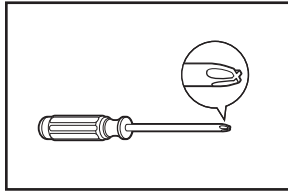
Tools and Parts

Gather the required tools and parts before starting installation. Read and follow the instructions provided with any tools listed here.

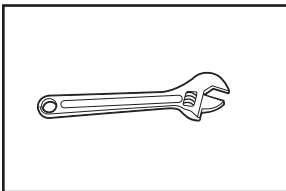
Tools needed:



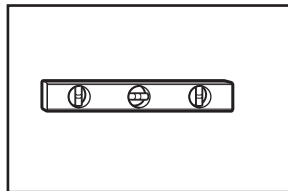
Flat-blade screwdriver



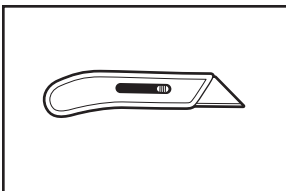
#2 Phillips screwdriver



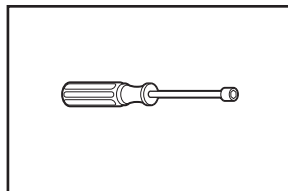
Adjustable wrench that opens to 1" (25 mm) or hex-head socket wrench



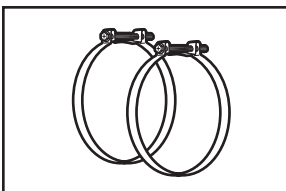
Level



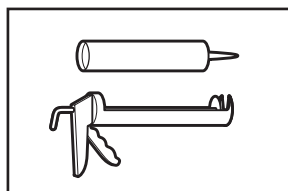
Utility knife



1/4" socket wrench or 1/4" nut driver

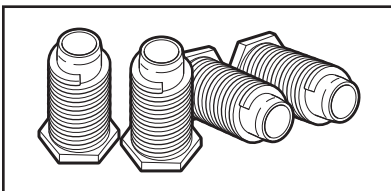


Vent clamps



Caulking gun and caulk (for installing new exhaust vent)

Parts supplied (all models):



Leveling legs (4)

Parts package is located in dryer drum. Check that all parts are included.

Location Requirements

⚠ WARNING



Explosion Hazard

Keep flammable materials and vapors, such as gasoline, away from dryer.

Place dryer at least 18 inches (460 mm) above the floor for a garage installation.

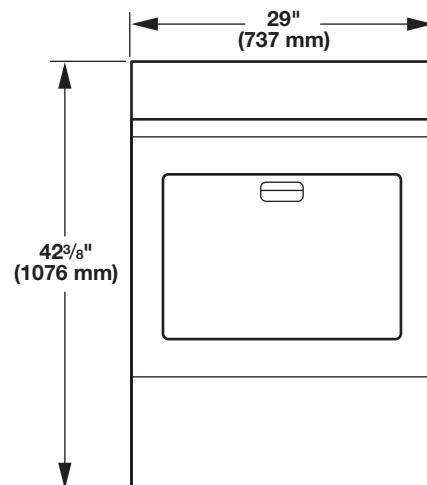
Failure to do so can result in death, explosion, or fire.

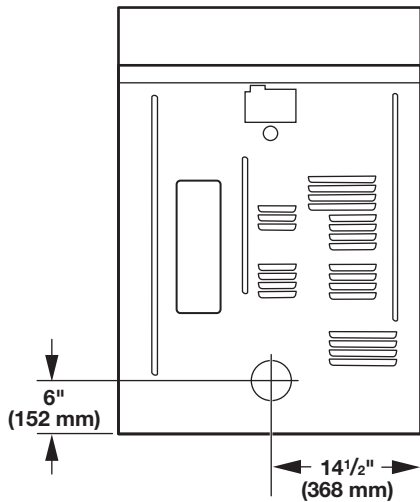
IMPORTANT: Observe all governing codes and ordinances.

- Check code requirements. Some codes limit, or do not permit, installation of the dryer in garages, closets, or sleeping quarters. Contact your local building inspector.
- Make sure that lower edges of the cabinet, plus the back and bottom sides of the dryer, are free of obstructions to permit adequate clearance of air openings for combustion air. See "recessed Area and Closet Installation Instructions" for minimum spacing requirements.

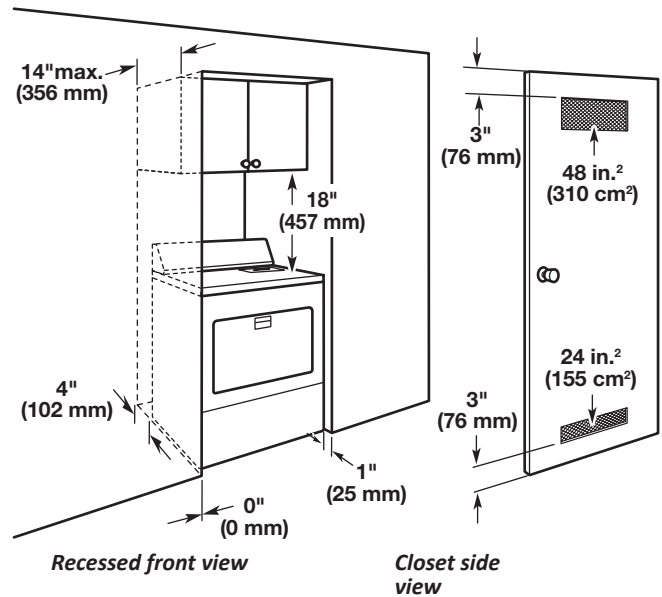
NOTE: The dryer must not be installed or stored in an area where it will be exposed to water and/or weather.

Dryer Dimensions





Minimum Required Spacing



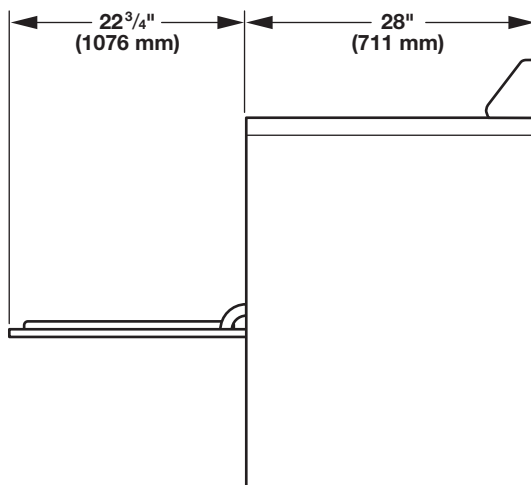
*Additional spacing recommended

*Opening is the minimum for a closet door

Electrical Requirements

- A two-wire plus separate ground wire, or a 3-wire, single-phase 230-volt, 50-Hz, AC only, electrical supply is required on a separate 15-amp circuit, fused on both sides of the line. A time-delay fuse or circuit breaker is recommended.
- It is the personal responsibility and obligation of the customer to contact a qualified electrician to assure that the electrical installation is adequate and is in conformance with all local codes and ordinances.

Door Clearance



Minimum spacing for recessed area or closet installation

The dimensions shown following are for the minimum spacing allowed.

- Additional spacing should be considered for ease of installation and servicing.
- Additional clearances might be required for wall, door, and floor moldings.
- Additional spacing of 1" (25 mm) on all sides of the dryer is recommended to reduce noise transfer.
- For closet installation, with a door, minimum ventilation openings in the top and bottom of the door are required. Louvered doors with equivalent ventilation openings are acceptable.
- The dryer must be exhausted outdoors.
- No other fuel-burning appliance may be installed in the same closet as the dryer.
- Companion appliance spacing should also be considered.

⚠ WARNING



Electrical Shock Hazard

Electrical ground is required on this dryer.

Do not ground to a gas pipe.

Do not change the power supply cord plug. If it does not fit the outlet, have a proper outlet installed by a qualified electrician.

Do not have a fuse in the neutral or grounding circuit.

Do not use an extension cord with this dryer.

Check with a qualified electrician to be sure the dryer is properly grounded.

Do not connect plug end of power supply cord into a live receptacle before connecting power supply cord to dryer terminal block.

Do not reuse old power supply cord.

Failure to follow these instructions could result in death, fire, or serious injury.

- If codes permit and a separate grounding wire is used, it is recommended that a qualified electrician determine that the grounding path is adequate.

- This dryer is equipped with a power supply cord. To minimize possible shock hazard, the cord must be plugged into a mating wall receptacle. See Figures 1 & 2.
- If your electrical requirements are different, contact your authorized Whirlpool service center or a qualified electrician.

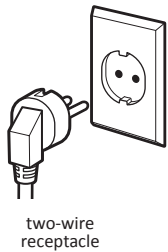


Figure 1

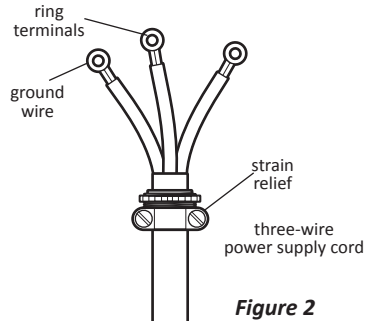


Figure 2

Direct Wire

- It is recommended that installation should be done by a qualified electrician.
- This dryer can be connected directly to the fused disconnect or circuit breaker box with two-wire or three-wire flexible, armored or non-metallic sheathed copper cable (with ground wire). Do Not use two-wire with bare ground wire. All current-carrying wires must be insulated.
- A conduit connector must be installed at each end of the power supply cable (at the dryer and at the junction box.) USE ONLY 10-GAUGE SOLID COPPER WIRE. DO NOT USE ALUMINUM WIRE. Allow 4 ft (1.22 m) of slack in the line so the dryer can be moved if servicing is ever necessary.

Recommended Ground Method

- It is your responsibility to contact a qualified electrical installer to ensure that the electrical installation is adequate and in conformance with the National Electrical Code, ANSI/NFPA 70, latest edition, and all local codes and ordinances.

GROUNDING INSTRUCTIONS

- For a grounded, cord-connected dryer:
This dryer must be grounded. In the event of malfunction or breakdown, grounding will reduce the risk of electric shock by providing a path of least resistance for electric current. This dryer uses a cord having an equipment-grounding conductor and a grounding plug. The plug must be plugged into an appropriate outlet that is properly installed and grounded in accordance with all local codes and ordinances.
- For a permanently connected dryer:
This dryer must be connected to a grounded metal, permanent wiring system, or an equipment-grounding conductor must be run with the circuit conductors and connected to the equipment-grounding terminal or lead on the dryer.

WARNING: Improper connection of the equipment-grounding conductor can result in a risk of electric shock. Check with a qualified electrician or service representative or personnel if you are in doubt as to whether the dryer is properly grounded. Do not modify the plug on the power supply cord: if it will not fit the outlet, have a proper outlet installed by a qualified electrician.

SAVE THESE INSTRUCTIONS

Electrical Connection

⚠ WARNING



Electrical Shock Hazard

Electrical ground is required on this dryer.

Do not ground to a gas pipe.

Do not change the power supply cord plug. If it does not fit the outlet, have a proper outlet installed by a qualified electrician.

Do not have a fuse in the neutral or grounding circuit.

Do not use an extension cord with this dryer.

Check with a qualified electrician to be sure the dryer is properly grounded.

Do not connect plug end of power supply cord into a live receptacle before connecting power supply cord to dryer terminal block.

Do not reuse old power supply cord.

Failure to follow these instructions could result in death, fire, or serious injury.

Two-Wire Connection

Plug power supply cord into the grounded outlet or connect direct wire to power supply. Turn power supply on.

VENTING

Venting Requirements

⚠ WARNING

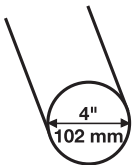


Fire Hazard

- Use a heavy metal vent.**
- Do not use a plastic vent.**
- Do not use a metal foil vent.**
- Failure to follow these instructions can result in death or fire.**

WARNING: To reduce the risk of fire, this dryer MUST BE EXHAUSTED OUTDOORS.

IMPORTANT: Observe all governing codes and ordinances. Dryer exhaust must not be connected into any gas vent, chimney, wall, ceiling, attic, crawlspace, or a concealed space of a building. Only rigid or flexible metal vent shall be used for exhausting.



- Only a 4" (102 mm) heavy metal exhaust vent and clamps may be used.
- Do not use plastic or metal foil vent.

Rigid metal vent:

- Recommended for best drying performance and to avoid crushing and kinking.

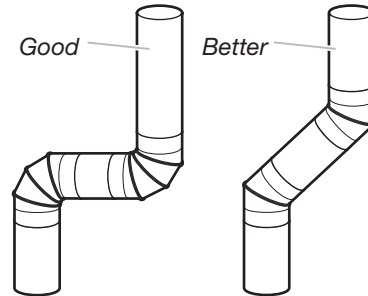
Flexible metal vent: (Acceptable only if accessible to clean)

- Must be fully extended and supported in final dryer location.
- Remove excess to avoid sagging and kinking that may result in reduced airflow and poor performance.
- Do not install in enclosed walls, ceilings, or floors.
- The total length should not exceed 7³/₄ ft. (2.4 m).

NOTE: If using an existing vent system, clean lint from entire length of the system and make sure exhaust hood is not plugged with lint. Replace plastic or metal foil vents with rigid metal or flexible metal vents. Review Vent system chart and if necessary, modify existing vent system to achieve best drying performance.

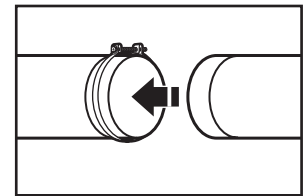
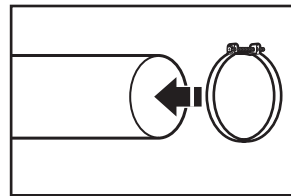
Elbows:

- 45° elbows provide better airflow than 90° elbows.



Clamps:

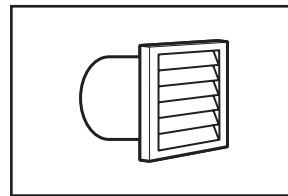
- Use clamps to seal all joints.
- Exhaust vent must not be connected or secured with screws or other fastening devices that extend into interior of duct and catch lint. Do not use duct tape.



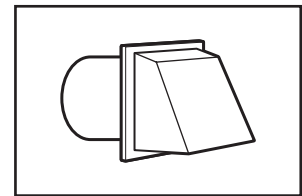
Exhaust Hoods:

- An exhaust hood should cap the vent to keep rodents and insects from entering the home.
- Must be at least 12" (305 mm) from ground or any object that may obstruct exhaust (such as flowers, rocks, bushes, or snow).
- Do not use an exhaust hood with a magnetic latch.

Recommended Styles:

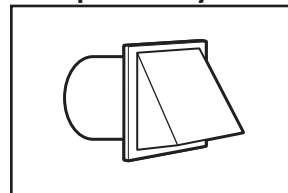


Louvered Hood



Box Hood

Acceptable Style:



Angled Hood

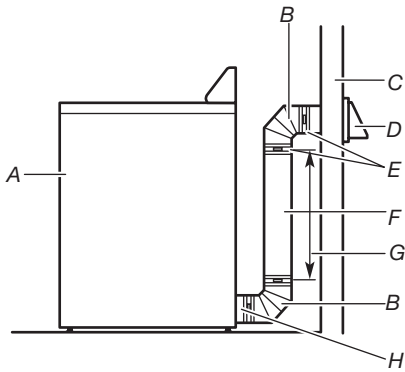
Improper venting can cause moisture and lint to collect indoors, which may result in:

- Moisture damage to woodwork, furniture, paint, wallpaper, carpets, etc.
- Housecleaning problems and health problems.

Plan Vent System

Recommended exhaust installations

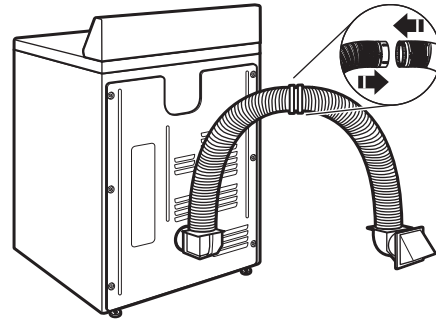
Typical installations vent the dryer from the rear of the dryer. Other installations are possible.



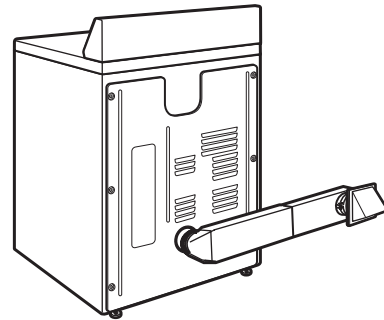
- A. Dryer
- B. Elbow
- C. Wall
- D. Exhaust hood
- E. Clamps
- F. Rigid metal or flexible metal vent
- G. Vent length necessary to connect elbows
- H. Exhaust outlet

Alternate installations for close clearances

Venting systems come in many varieties. Select the type best for your installation. Two close-clearance installations are shown. Refer to the manufacturer's instructions.



Over-The-Top installation (also available with one offset elbow)

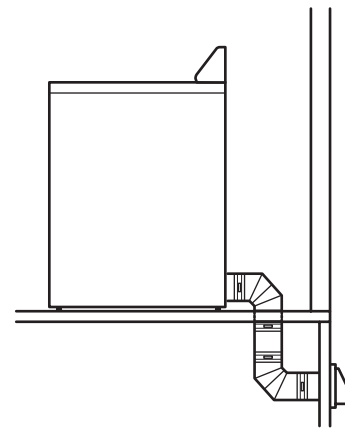


Periscope installation

NOTE: The following kits for close clearance alternate installations are available for purchase.

Special provisions for mobile home installations:

The exhaust vent must be securely fastened to a noncombustible portion of the mobile home structure and must not terminate beneath the mobile home. Terminate the exhaust vent outside.



Determine vent path:

- Select route that will provide straightest and most direct path outdoors.
- Plan installation to use fewest number of elbows and turns.
- When using elbows or making turns, allow as much room as possible.
- Bend vent gradually to avoid kinking.
- Use as few 90° turns as possible.

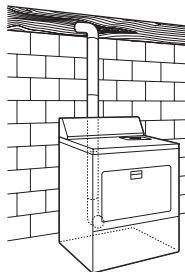
⚠ WARNING

Fire Hazard

Cover unused exhaust holes with a manufacturer's exhaust cover kit.

Contact your local dealer.

Failure to follow these instructions can result in death, fire, electrical shock, or serious injury.



Determine vent length and elbows needed for best drying performance:

- Use following Vent System Chart to determine type of vent material and hood combinations acceptable to use.

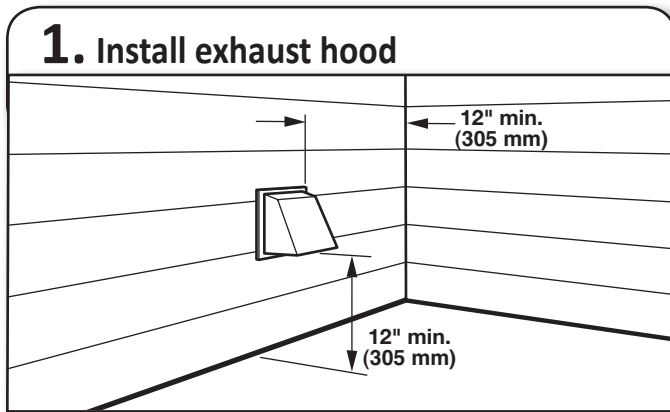
NOTE: Do not use vent runs longer than those specified in Vent System Chart. Exhaust systems longer than those specified will:

- Shorten life of dryer.
- Reduce performance, resulting in longer drying times and increased energy usage.

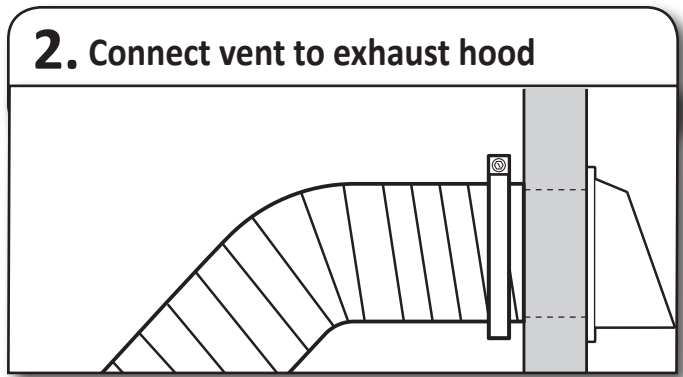
The Vent System Chart provides venting requirements that will help achieve best drying performance.

Vent System Chart			
Number of 90° turns or elbows	Type of vent	Box/louvered hoods	Angled hoods
0	Rigid metal	64 ft. (20 m)	58 ft. (17.7 m)
1	Rigid metal	54 ft. (16.5 m)	48 ft. (14.6 m)
2	Rigid metal	44 ft. (13.4 m)	38 ft. (11.6 m)
3	Rigid metal	35 ft. (10.7 m)	29 ft. (8.8 m)
4	Rigid metal	27 ft. (8.2 m)	21 ft. (6.4 m)

Install Vent System



Install exhaust hood and use caulking compound to seal exterior wall opening around exhaust hood.



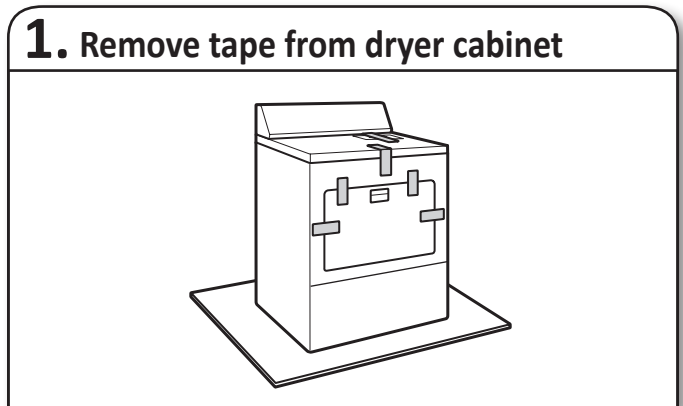
Vent must fit over the exhaust hood. Secure vent to exhaust hood with 4" (102 mm) clamp. Run vent to dryer location using straightest path possible. Avoid 90° turns. Use clamps to seal all joints. Do not use duct tape, screws, or other fastening devices that extend into interior of vent to secure vent, because they can catch lint.

Install Leveling Legs

⚠ WARNING

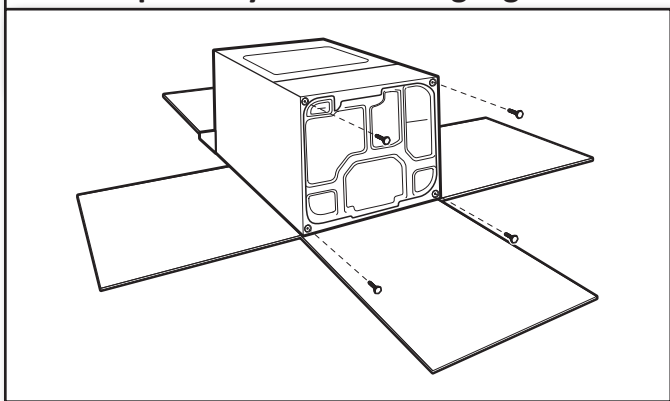
Excessive Weight Hazard

Use two or more people to move and install dryer.
Failure to do so can result in back or other injury.



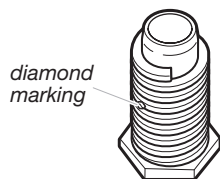
Open dryer door and remove tape from dryer drum. (Not all dryer drums are taped.) Remove drying rack, if included. Turn dryer drum counterclockwise to make sure all tape was removed. Wipe drum with damp cloth to remove any dust.

2. Prepare dryer for leveling legs



To avoid damaging floor, use a large flat piece of cardboard from dryer carton; place under entire back edge of dryer. Firmly grasp dryer body (not console panel) and gently lay dryer down on cardboard.

3. Screw in leveling legs

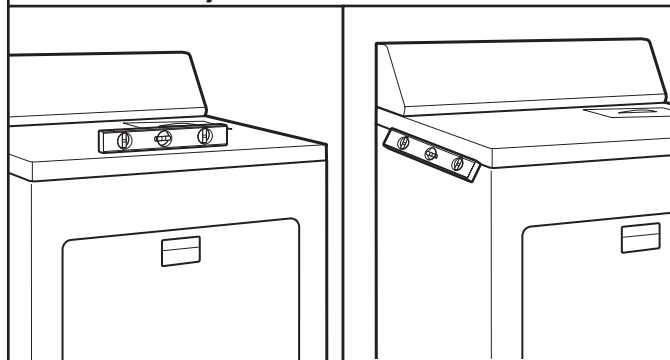


Examine leveling legs, find diamond marking. Screw legs into leg holes by hand, use a wrench to finish turning legs until diamond marking is no longer visible.

Now stand the dryer on its feet. Slide the dryer until it is close to its final location. Leave enough room for electrical connection and to connect the exhaust vent.

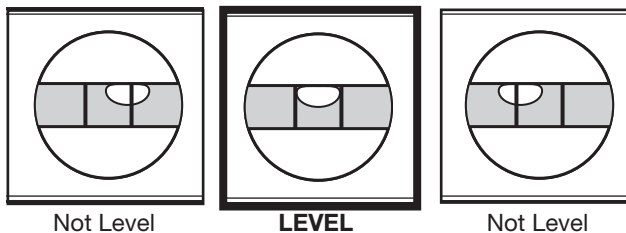
Level Dryer

1. Level Dryer

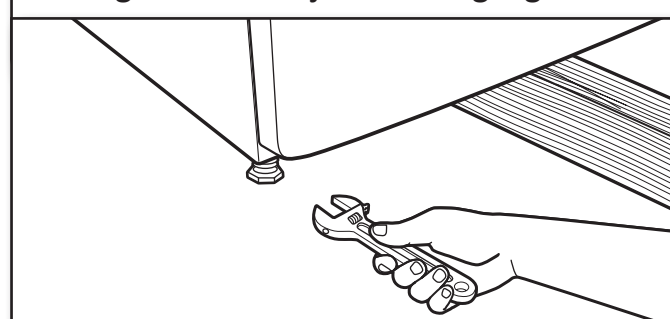


Check levelness of dryer from side to side. Repeat from front to back.

NOTE: The dryer must be level for the moisture sensing system to operate correctly.



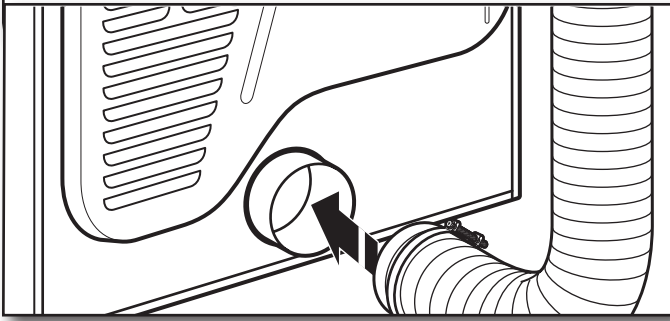
2. Tighten and adjust leveling legs



If dryer is not level, prop up using a wood block, use wrench to adjust legs up or down, and check again for levelness. Once legs are level, make sure all four legs are snug against the ground before tightening them.

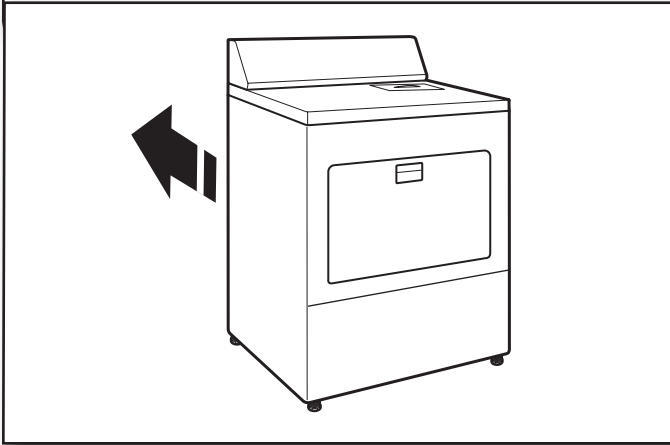
Connect Vent

1. Connect vent to exhaust outlet



Using a 4" (102 mm) clamp, connect vent to exhaust outlet in dryer. If connecting to existing vent, make sure vent is clean. Dryer vent must fit over dryer exhaust outlet and inside exhaust hood. Check that vent is secured to exhaust hood with a 4" (102 mm) clamp.

2. Move dryer to final location



Move dryer to final location. Avoid crushing or kinking vent. After dryer is in place, remove corner posts and cardboard from under the dryer.

Complete Installation Checklist

- Check that all parts are now installed. If there is an extra part, go back through steps to see what was skipped.
- Check that dryer is level. See "Level Dryer".
- Check that you have all of your tools.
- For power supply cord installation, plug into an outlet. For direct wire installation, turn on power.
- Read "Dryer Use" in your Use and Care Guide.
- Set the dryer on a full heat cycle (not an air cycle) for 20 minutes and start the dryer.

If the dryer will not start, check the following:

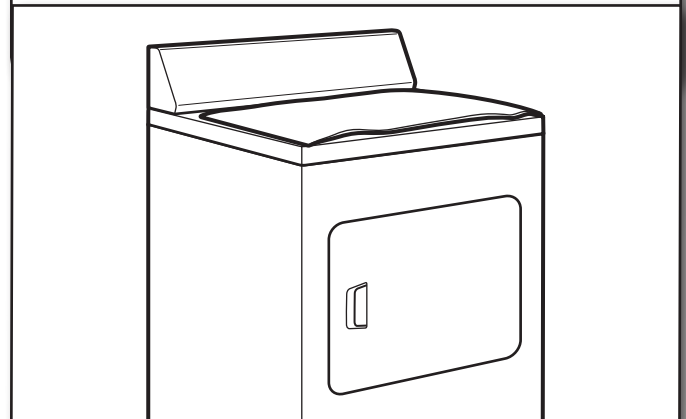
- Dryer is plugged into an outlet and/or electrical supply is on.
- Household fuse is intact and tight, or circuit breaker has not tripped.
- Dryer door is closed.
- Controls are set in a running or "On" position.
- Start button has been pushed firmly.

NOTE: You may notice an odor when the dryer is first heated. This odor is common when the heating element is first used. The odor will go away.

Reverse Door Swing (Optional)

Super wide-swing door model shown.

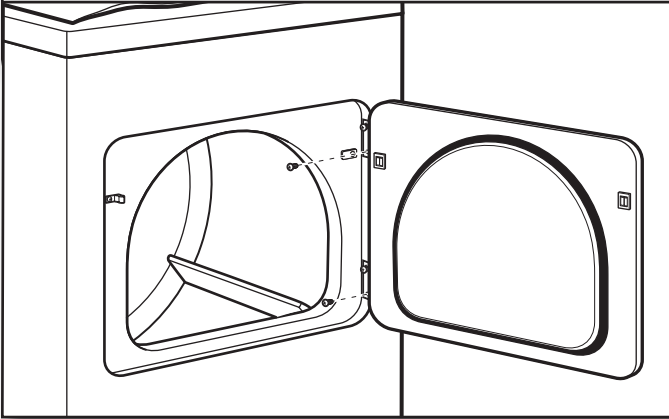
1. Place towel on dryer



Place towel on top of dryer to avoid damaging the surface.

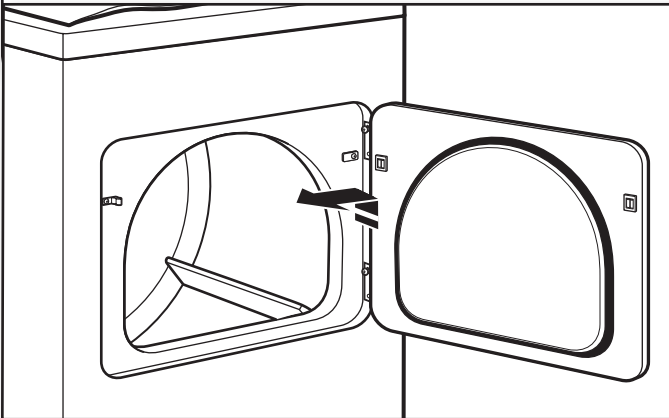
NOTE: Magnetized screw driver is helpful.

2. Remove bottom screws



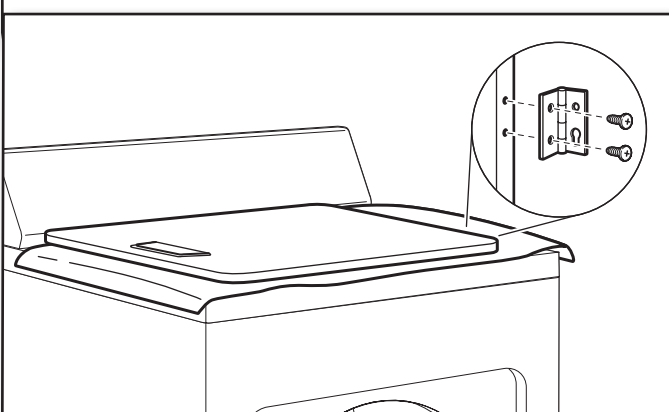
Open dryer door. Remove bottom screws from dryer cabinet side of hinges. Loosen (do not remove) top screws from dryer cabinet side of hinges.

3. Lift door off top screws



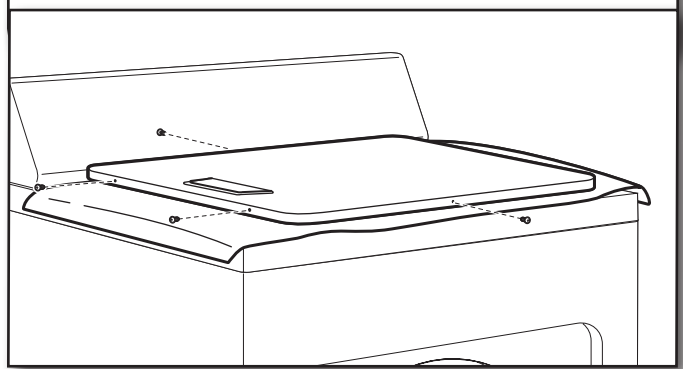
Lift door until top screws in dryer cabinet are in large part of hinge slot. Pull door forward off screws. Set door (handle side up) on top of dryer. Remove top screws from dryer cabinet.

4. Remove screws from hinges



Remove screws attaching hinges to door.

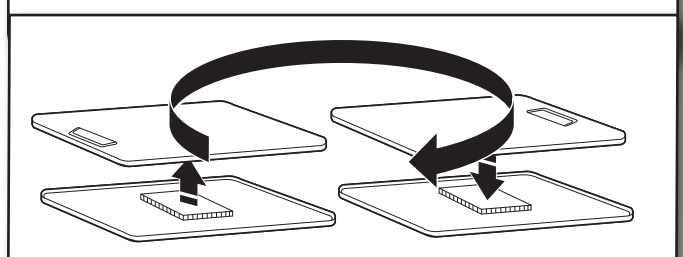
5. Remove screws from door



Remove screws at top, bottom, and side of door (4 screws). Keep door screws separate from hinge screws as they are different sizes. Holding door over towel on dryer, grasp sides of outer door and lift to separate it from inner door.

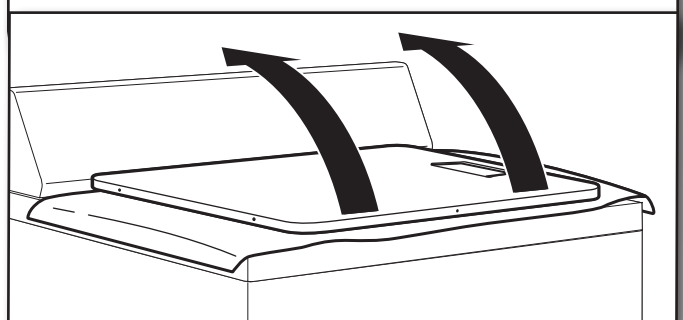
NOTE: Do not pry apart with putty knife or screwdriver. Do not pull on door seal or plastic door catches.

6. Rotate outer door



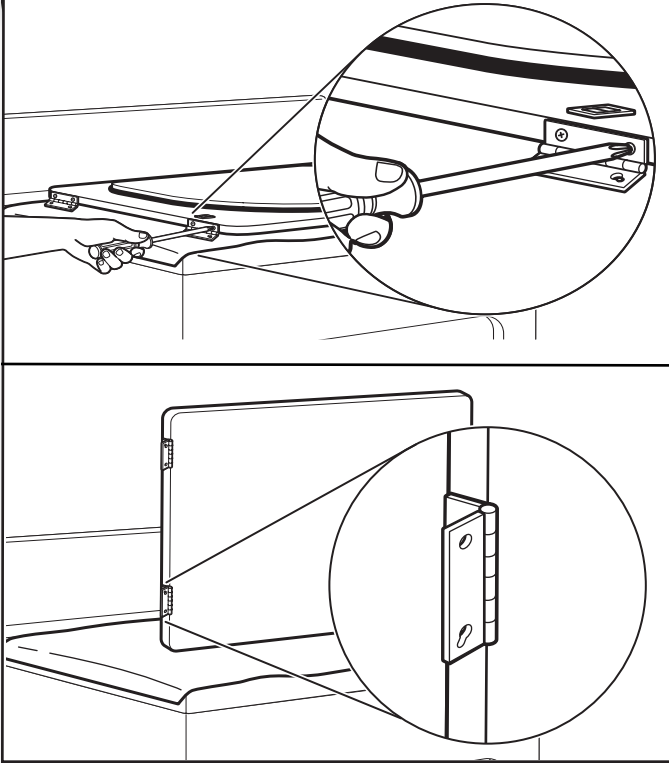
Take outer door and rotate in 180° and set it back down on inner door. Be certain to keep cardboard spacer centered between doors. Reattach outer door panel to inner door panel so handle is on the side where hinges were just removed. Insert 4 door screws.

7. Flip door over



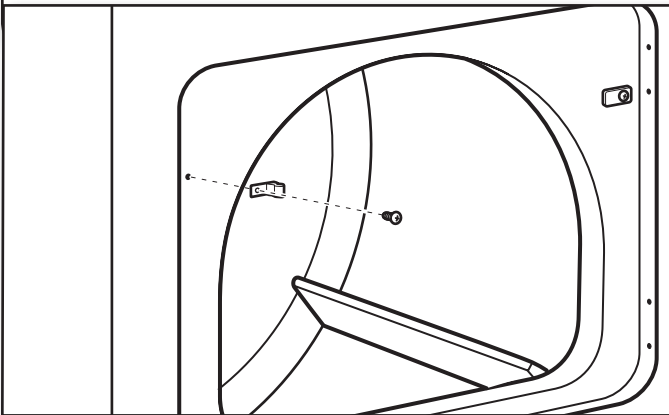
Flip door over so handle side is down.

8. Attach door hinges



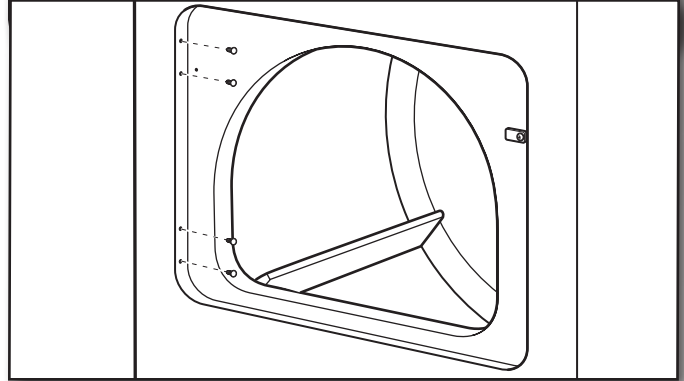
Reattach door hinges to dryer door so that the larger hole is at the bottom of the hinge.

9. Remove door strike



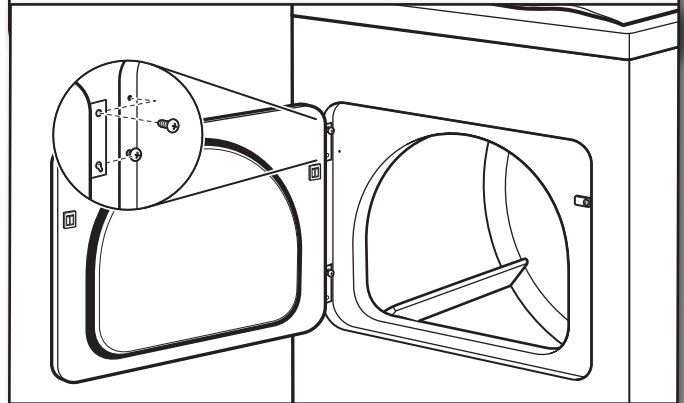
Remove door strike from dryer cabinet and set aside.

10. Remove and transfer hinge hole plugs



Use a small, flat-blade screwdriver to gently remove 4 hinge hole plugs on left side of dryer cabinet. Transfer plugs into hinge holes on opposite side of dryer cabinet.

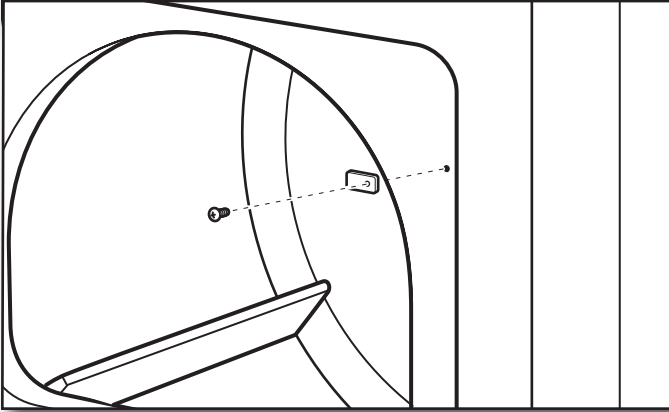
11. Insert screws in hinge holes on dryer cabinet



NOTE: Two people maybe needed to reinstall door.

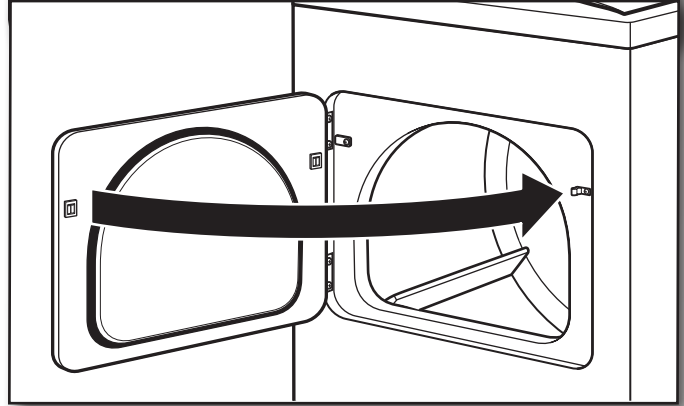
Insert screws into the bottom holes on left side of dryer cabinet. Tighten screws halfway. Position door so large end of door hinge slot is over screws. Slide door up so screws are in bottom of slots. Tighten screws. Insert and tighten top screws in hinges.

12. Remove door strike plug



Remove door strike plug. Insert the door strike removed in Step 9 into hole and secure with screw. Insert door strike plug into original door strike hole and secure with screw.

13. Check door strike alignment



Close door and check that door strike aligns with door catch. If it is needed, slide door catch left or right within slot to adjust alignment.

TROUBLESHOOTING

First try the solutions suggested here to possibly avoid the cost of a service call.		
If you experience	Possible Causes	Solution
Clothes are not drying satisfactorily, drying times are too long, or load is too hot	Lint screen clogged with lint.	Clean lint screen before each load.
	Has the Air Dry cycle been selected.	Select the right cycle for the types of garments being dried. See "Air Dry."
	The load is too large and heavy to dry quickly.	Separate the load to tumble freely.
	The exhaust vent or outside exhaust hood is clogged with lint, restricting air movement.	Run the dryer for 5-10 minutes. Hold your hand under the outside exhaust hood to check air movement. If you do not feel air movement, clean exhaust system of lint or replace exhaust vent with heavy metal or flexible metal vent. See "Venting".
	Dryer sheets blocking the grille.	Use only one dryer sheet, and use it only once.
	The exhaust vent not the correct length.	Check that the exhaust vent is not too long or has too many turns. Long venting will increase drying times. See "Installation Instructions".
	The exhaust vent diameter is not the correct size.	Use 4" (102 mm) diameter vent material.
	The dryer is located in a room with temperature below 45°F (7°C).	Proper operation of dryer cycles requires temperatures above 45°F (7°C).
	Dryer located in a closet.	Closet doors must have ventilation openings at the top and bottom of the door. The front of the dryer requires a minimum of 1" (25 mm) of airspace, and, for most installations, the rear of the dryer requires 5" (127 mm). See "Installation Requirements".
Dryer will not run	Door not closed completely.	Make sure the dryer door is closed completely.
	START button not pressed firmly.	Press the START button 2-5 seconds.
	Household fuse is blown or circuit breaker has tripped.	Electric dryers use 2 household fuses or circuit breakers. The drum may be turning, but you may not have heat. Replace the fuse or reset the circuit breaker. If the problem continues, call an electrician.
	Incorrect power supply.	Electric dryers require 230-240 volt power supply. Check with a qualified electrician.
	Wrong type of fuse.	Use a time-delay fuse.
	Is a cycle selected.	The dryer will not start in the Wrinkle Shield™ or Wrinkle Guard position (on some models). Move the dial past off.
Unusual sounds	Dryer have a period of non-use.	If the dryer hasn't been used for awhile, there may be a thumping sound during the first few minutes of operation.
	A coin, button, or paper clip caught between the drum and front or rear of the dryer.	Check the front and rear edges of the drum for small objects. Clean out pockets before laundering.
	It is a gas dryer.	The gas valve clicking is a normal operating sound.
	Are the four legs installed, and is the dryer level front to back and side to side.	The dryer may vibrate if not properly installed. See the Installation Instructions.
	Clothing knotted or balled up.	When balled up, the load will bounce, causing the dryer to vibrate. Separate the load items and restart the dryer.
No heat	Household fuse is blown or circuit breaker has tripped.	The drum may be turning, but you may not have heat. Electric dryers use 2 household fuses or circuit breakers. Replace both fuses or reset the circuit breaker. If the problem continues, call an electrician.
	Supply line valve not open.	For gas dryers, is the valve open on the supply line.

TROUBLESHOOTING

First try the solutions suggested here to possibly avoid the cost of a service call.

If you experience	Possible Causes	Solution
Timer does not advance	Dryer not set to Timed Drying or Air Dry (depending on model).	The timer moves slowly and continuously for the time setting.
	Dryer not set to Automatic Dry.	The times moves only when the clothing is mostly dry. See "Setting the Drying Temperature" under Cycle Guide.
Cycle time too short	Automatic cycle ending early.	The load may not be contacting the sensor strips. Level the dryer. Use Timed Dry for very small loads. Change the dryness level setting on Automatic Cycles. Increasing or decreasing the dryness level will change the amount of drying time in a cycle.
Lint on load	Lint screen clogged.	Lint screen should be cleaned before each load.
Stains on load or drum	Improper use of dryer sheets.	Add dryer sheets at the beginning of the cycle. Dryer sheets added to a partially dried load can stain your garments.
	Loose dyes in clothes.	Drum stains are caused by dyes in clothing (usually blue jeans). These will not transfer to other clothing.
Loads are wrinkled	Load not removed from dryer at the end of the cycle.	Select Wrinkle Shield feature to tumble the load without heat to avoid wrinkling.
	Dryer tightly packed.	Dry smaller loads that can tumble freely reduce wrinkles from forming.
Odors	Recent painting, staining, or varnishing in the area where your dryer is located.	Ventilate the area. When the odors or fumes are gone from the area, rewash and dry the clothing.
	Dryer being used for the first time.	The new electric heating element may have an odor. The odor will be gone after the first cycle.

W10097089A

© 2011 Whirlpool Corporation.
All rights reserved

® Registered Trademark/™ Trademark of Whirlpool, U.S.A.,
Whirlpool Canada LP Licensee in Canada

10/11
Printed in U.S.A.